



DT-350 Electronic Room Thermostat + NSB

Product overview



The electronic room thermostat is designed to excel in commercial, industrial, and residential settings. With a manual calibration dial, this thermostat sets a new standard for precision and reliability.

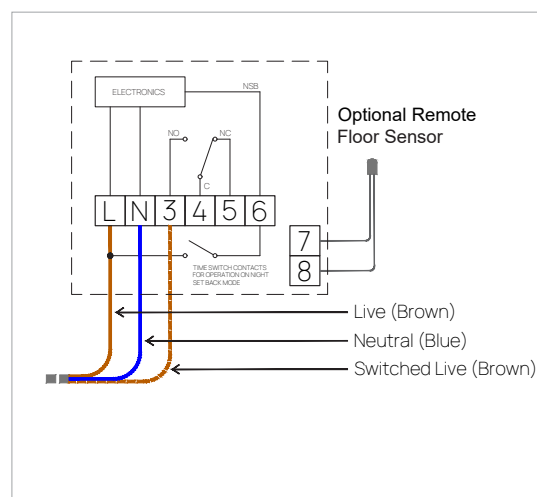
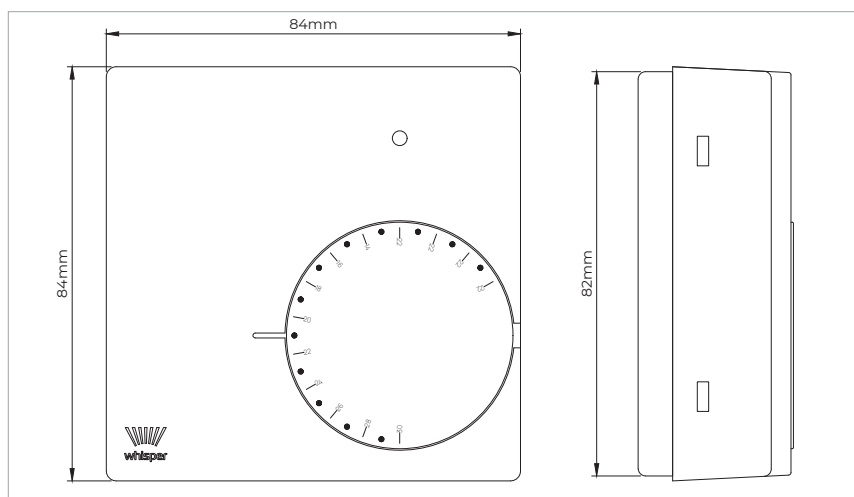
The wall mounted DT-350 is available in both 230v and 24v variations and has a switching load of up to 5 amps. When a heat demand is present, a prominent red LED light signals the operation. Another key feature is the adjustable 2°C to 7°C night setback (NSB) temperature dial. The DT-350 also has secure temperature limiting pins, this prevents misuse or accidental operation.

The electronic NSB thermostat can be used in conjunction with our 4.7k remote sensors (both for floor or air temperature control). With restricted access to the calibration, NSB and limiting pins, the user-facing dial operation presents simplified temperature adjustment, with a maximum range of 6 °C to 30 °C.

Technical specifications

Item	Electronic Room Thermostat + NSB	Setting temp	0°C - 40°C (6°C - 30°C regulation)
Product code	See below	Supply voltage	230v or 24v
Dimensions	85(W)x85(H) x31(D) mm	Protection rating	IP30
Material	ABS self extinguishing	Weight	111g
Output	5amp	Colour	White
Accuracy	+/- 0.5°C	Mounting type	On wall
		Compliance	UKCA and CE
		Compatible	Whisper 4.7k Remote Sensor

Product code	Voltage
CWS-ADT3-050	230v
CWS-ADT3-063	24v



Whisper Controls Limited

Unit 21D Avenue Two, Station Lane Industrial Estate, Witney, Oxfordshire, OX28 4YG, United Kingdom.

Tel: +44 (0)1993 640073 whispercontrols.com

DS-WC-DT-350-SEP23-V1.0