

BP-200 Remote Temperature Button Sensor Probe

Product overview

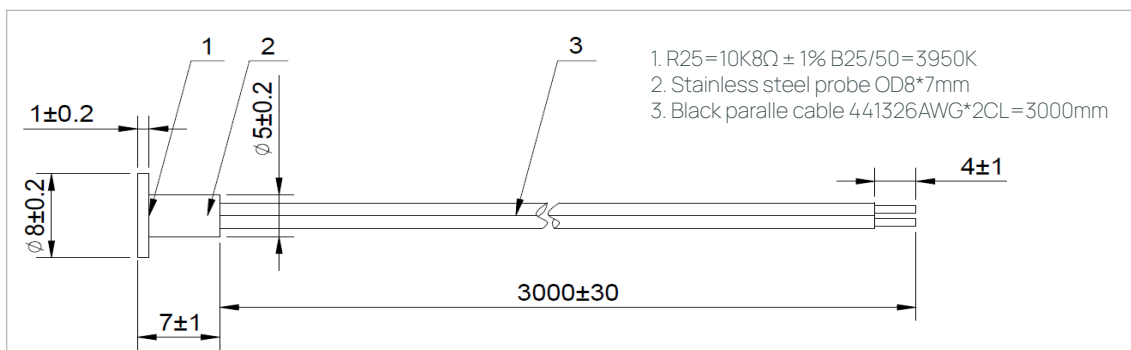


BP-200 is a multi use temperature button sensor to be used in conjunction with Whisper thermostats. The sensor can be used as a remote sensor to improve a room's temperature control, or as a through wall sensor for a wet room protecting the thermostat wiring from moisture ingress.

- Discrete 8mm diameter flat surfaced button design, 1mm thick for on surface plasterboard mounting, or similar.
- Slimline 5mm diameter shoulder suitable for standard drill bit size holes.
- Suitable for wet room applications with stainless steel anti corrosive probe design.
- Fixed cable lengths from 3m to 20m.
- Common NTC 10K Ω resistance range for ease of stock control.
- High accuracy of 1% giving installer confidence.
- Standard range of 3950k B25/50.

Technical specifications

Item	Remote room or wall sensor	Accuracy	+/-1%
Product code	See below	Mounting type	In housing (RH-300) or on/through wall
Dimensions	8DIA x 5mm probe	Working temp	-40 to +120 °C
Cable lengths	3m, 10m, 15m, 20m	Cable type	441326AWG x 2C
Cable material	Black PVC	Sensor type	NTC Thermistor 10K Ω
Probe material	Stainless steel	Resistance	10k Ohms at 25°C



Sensor resistance table

Temperature	Resistance
-40	328.8
-30	172.9
-20	95.1
-10	54.4
0	32.2
10	19.7
20	12.4
25	10.0
30	8.0

Temperature	Resistance
40	5.3
50	3.6
60	2.5
70	1.7
80	1.2
90	0.9
100	0.7
110	0.5
120	0.3

Product code	Cable length
TRP5-203	3m
TRP5-210	10m
TRP5-215	15m
TRP5-220	20m



Whisper Controls Limited

Unit 21D Avenue Two, Station Lane Industrial Estate, Witney, Oxfordshire, OX28 4YG, United Kingdom.

Tel: +44 (0)1993 640073 whispercontrols.com

DS-WC-BP-200-MAY24-V1.0